

Installation guidelines

BB nuance

Nuance is designed to be installed without metal trims or extrusions as the core is polyurethane and totally waterproof. Flexible runs using combinations of 600mm and 1200mm T&G panels are finished at open ends with elegant postformed components and bonded in place, jointed and seamed using colour matched moisture curing BB Complete.

The resulting finish is neat, elegant and uncluttered by aluminium extrusions.

Product Specifications

Laminated panel composition

High pressure decorative laminate to both faces of 10mm waterproof polyurethane core.

Laminated worksurface composition

High pressure decorative laminate to P3 grade 28mm, PEFC certified chipboard, balanced with resin impregnated paper to the reverse and protected by white PUR Tekseal™.

Laminated panels sizes and weights

2420 x 580 x 12mm 8mm radius 2 long edges (13kg)

2420 x 1200 x 12mm 8mm radius 1 long edge + 1 long edge with tongue (26kg)

2420 x 160 x 12mm 8mm radius 1 long edge + 1 long edge with tongue (4kg)

2420 x 600 x 12mm tongue and groove (13.5kg)

2420 x 1200 x 12mm tongue and groove (26kg)

BB Complete colour matched adhesive and sealant

This must be used to validate the 15 year guarantee.

It is a specially formulated moisture curing PUR in standard 290ml cartridges.

- Waterproof, UV stable, with excellent grab adhesion, gap filling properties and no shrinkage.
- Spillages and smears can be easily cleaned immediately using white spirit.
- Odourless with no toxic fumes.

Storage

All Nuance products must be stored in their original packaging at room temperature, face up off the floor and fully supported, remaining flat at all times. Failure to do so may induce bowing.

Health and safety

Nuance wall panelling and adhesives are not known to be associated with any hazards. Even so, it is good practice to use appropriate PPE, such as dust masks, safety goggles, overalls, protective gloves and protective footwear.

Before you start

Prior to installation condition all panels and adhesives to room temperature for at least 24hours.

Check for signs of damaged or defect. Don't start unless you are completely happy as claims for defects cannot be met after installation.

Unwrapped panels must be stored in a clean environment, stacked face to face to minimise damage.

Essential Tools

Double cup suction lifters x 2 are ideal for handling and installing panels

Circular saw to size panels

Jigsaw - to scribe panels around shaped areas

Hand router – to dress visible cut edges

Electric hand drill– to cut holes

Standard mastic gun – to apply BB Complete adhesive/sealant

Screwdriver, measuring tape and pencil

Plumb line/Plumb spirit level

Essential materials & fixings

BB Complete

Use 'neutral' cartridge to bond panels and upstands where the adhesive is not seen. BB Complete adhesive generally provides sufficient grab, but occasionally panels may need to be braced temporarily until the adhesive cures.

Use 1 x 290ml cartridge per 2420x1200mm panel or 1 every 2 x 580mm or 600mm panels. See fig B4.

Use colour matched cartridges for sealing, seaming and jointing.

Use white spirit & a clean wipe to clean excess adhesive when creating a smooth finish.

Use 25mm x 3.5mm No6 CSK Stainless self-tap screws & suitable wall plugs when fixing T&G panels to masonry.

Design considerations

Nuance 1200mm panels run from the corner past the shower enclosure with the postformed edge visible, making finishing extrusions unnecessary. Larger enclosures can be accommodated in the same manner by linking tongue and grooved panels and the specially designed 160mm postformed finishing panel.

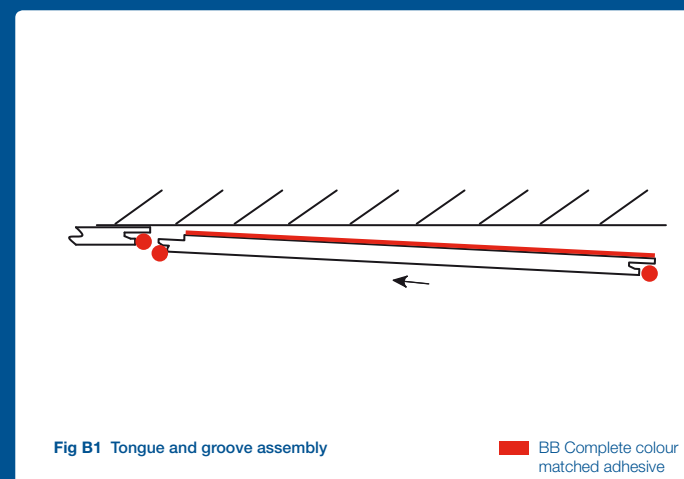
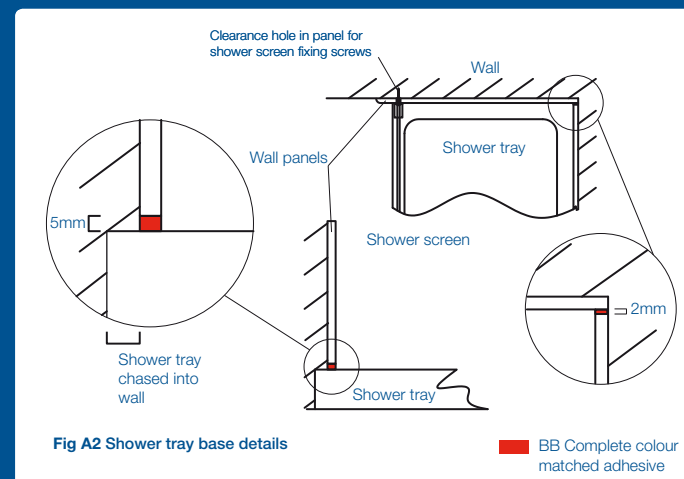
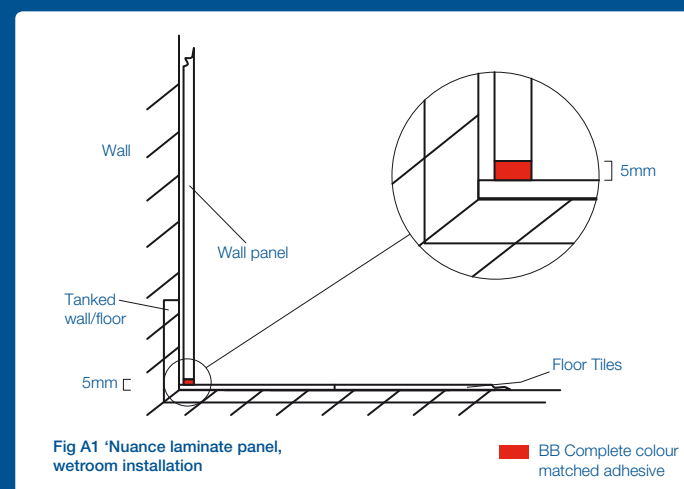
Turning a 1200mm standard postformed panel through 90 degrees with the postformed edge upper most creates a 1200mm high half height wall for WCs, basins or vanities.

When joining horizontal and vertical panels experienced fitters can create a kitchen worktop style butt & scribe joint to create a continuous flow to the postformed edges where the panels meet. (See page 7 in our brochure) In this instance décor design should be discussed with the customer; just like with a kitchen worktop, the flow of design will end at the joint.

When panels finish between two walls avoid finishing at the corner with a narrow panel; try to evenly space the panel layout to maximise end panel sizes.

Some simple rules

1. ONLY use BB Complete adhesives to validate the 15 year guarantee.
2. Position all joints vertically especially in wet areas.
3. Always start panel installations from a corner before working out. This requires the removal of the male tongue.
4. Always allow at least a 2mm gap when finishing at a fixed wall or ceiling.
5. When installing T&G panels ensure the receiving edge of the first panel is female.
6. When panels meet at a tongue and groove joint, remember designs are not intended to match across the joint. This is more obvious on decors such as rococo and bubble.



Preparation: wall & floor

Nuance panels can be installed directly to a timber stud work or any sound flat wall including existing tiled walls using BB Complete adhesive and sealant providing:

1. Walls are dry, clean and damp free.
2. The floor and walls are water proofed using appropriate tanking materials at least 50mm up past the base of panels.
3. Walls are vertically plumb and true. Care should be taken to ensure that walls are flat and free of dips as low spots will reduce the ability for adhesive to grab.
4. When constructing wet rooms panels must finish 5mm above the finished floor level and be seated and sealed on a full depth bed of BB Complete to avoid any water penetration to the building (refer to fig A1 & A2).
5. If the installation has vinyl flooring, use the 'J' section as shown in fig C5.

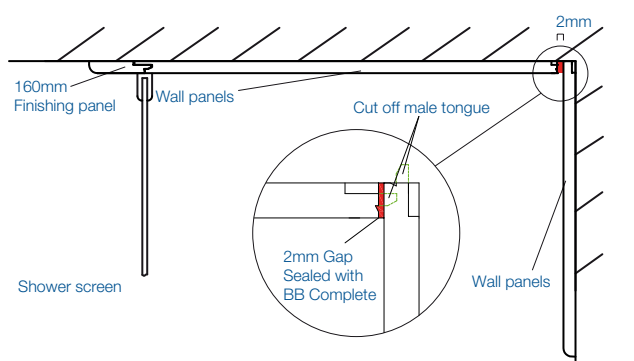


Fig B2 Corner and finishing panel details

BB Complete colour matched adhesive

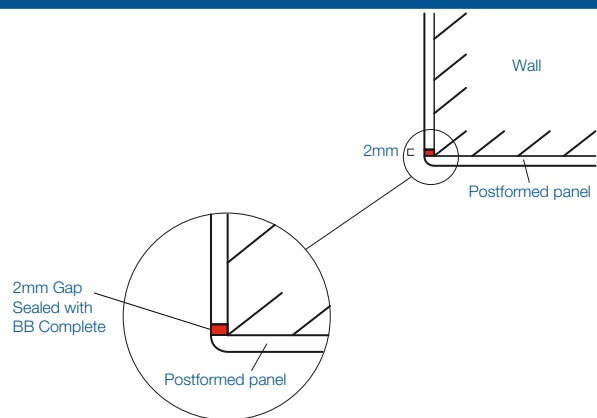


Fig B3 External corner details

BB Complete colour matched adhesive

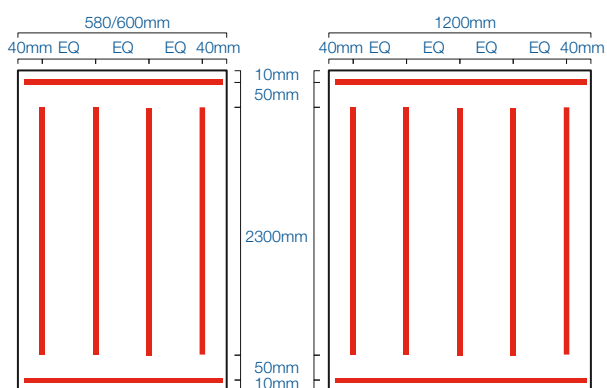


Fig B4 Application of BB Complete adhesive

NB. The use of BB Complete is a condition of the guarantee.

BB Complete colour matched adhesive approx. ø3mm

Cutting & drilling:

1. Cut using standard wood working tools and blades as listed.
2. Use standard high speed drill bits or circular hole saw cutters – do not use spade type bits.
3. Allow 3mm clearance around all cut outs and holes to be back filled with BB Complete.
4. Use a circular saw fitted with a sharp blade to cut concealed edges.
5. Always cut with the panel face down and start all cuts into the factory finished postformed edge. Jigsaws should only be used to scribe curved shapes. **Position the panel face up or down depending on the blade type and start all cuts into the factory finished postformed edge.**

Installing postformed panels

1. Measure, mark and cut the panel to size allowing a 2mm gap for BB Complete at the 90° internal joint.
2. Remove the male edge with a circular saw or sharp knife, leaving the postformed edge intact.
3. Form cut outs and holes for services as required.
4. Test fit the panel dry for alignment, then remove and clean the back face using a clean damp cloth and allow to dry.
5. Apply beads of BB Complete adhesive as shown in fig B4.
6. Carefully lift the panel in place onto 5mm spacers to hold the panel above the floor in readiness for back filling with BB Complete. Press back firmly all over ensuring the necessary 2mm gap for BB Complete where panels meet as shown in fig B2.
8. Allow to cure for 24hrs before fitting the shower enclosure and accessories.
9. When fixing accessories ensure all loading is transferred through the panel to the wall.
10. Apply final finishing BB Complete beads between panels and shower or bath, and finally fully fill the 5mm gap at the base of the panels to the floor, bath or shower tray forming a neat bead. Smears or excess of BB Complete must be promptly cleaned away using white spirit.

Installing tongue and groove panels

1. Measure, mark and cut the panel to size.
2. Remove the male tongue with a circular saw or sharp knife, leaving the female groove edge intact as necessary.
3. To secure the panel whilst the adhesive cures drill 5 no Ø4.5mm holes along the female grooved edge 60mm in from ends and spaced evenly approx. 450mm apart, countersink to suit No 6 CSK screws.
4. To ensure alignment test fit the panel then remove to clean the back face using a clean damp cloth and allow to dry.
5. Apply beads of BB Complete adhesive as shown in fig B1 and fig B4.
6. Lift the panel in place, pressing the back of the panel firmly all over and fix using 25mm x No6 CSK Stainless self-tapping screws.
7. Repeat the process for further connecting panels, applying BB Complete to each tongue and groove joint.
8. Do not tap the groove edge of the panel to close the joint. Use the mirror suction lifters to slide the panel up and down whilst pushing sideways to evenly squeeze out BB Complete, safely closing the gap.
9. Immediately after assembling each joint, use white spirit and clean off excess BB Complete.

Bath panels from Nuance

With a totally waterproof core bath panels are easy to fabricate on site.

For single one side baths use the 580mm feature panel. The postformed finish along both edges allows the creation of plinth details.

Front and end panel combinations can be cut from one 1200mm postformed panel utilising the postformed edge to overlap the side panel for a neat postformed detail at the corner, remembering that linear decors will see a change of direction at the intersection.

See fig B3.

Optional extrusions

With its unique polyurethane core Nuance needs no extrusions, so their use is optional. However in certain configurations they may ease the installation process so a full range is available in three colourways.

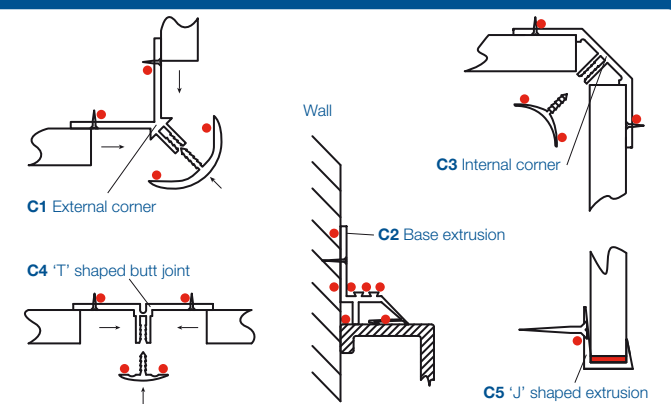


Fig C optional extrusions

BB Complete colour matched adhesive

1. Two part aluminium external corner section. See fig C1.
2. Single part plastic shower tray base section. See fig C2.
3. Two part aluminium internal corner section. See fig C3.
4. Two part aluminium Jointing section. See fig C4.
5. Single part aluminium 'J' section. See fig C5.

(all diagrams not to scale to help clarity)

